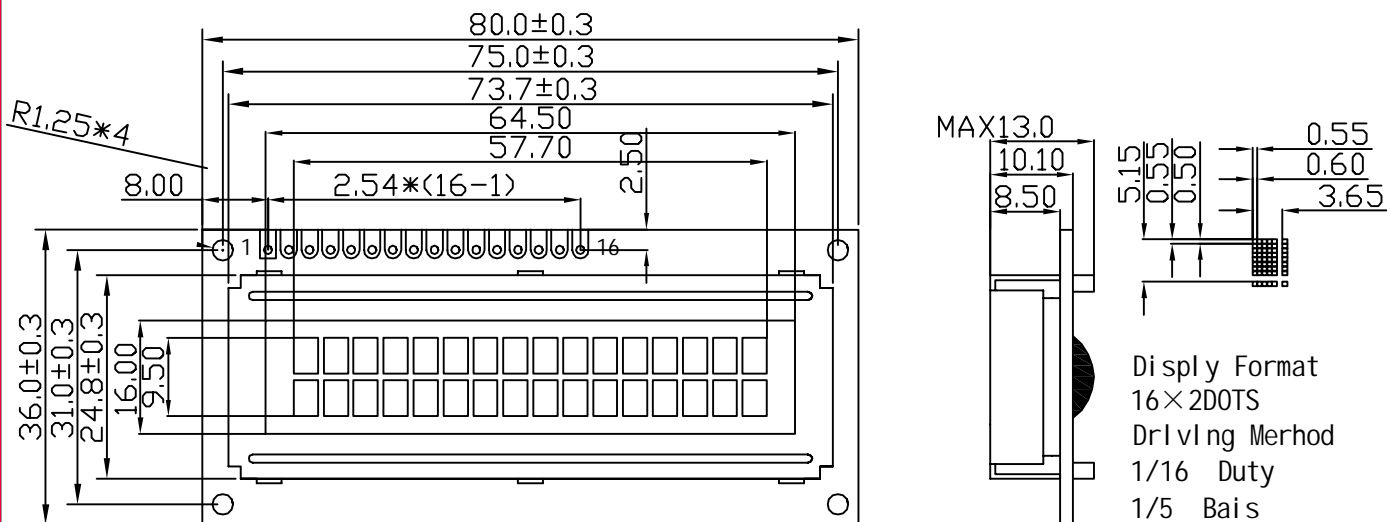


① PHYSICAL DIMENSION/外型尺寸

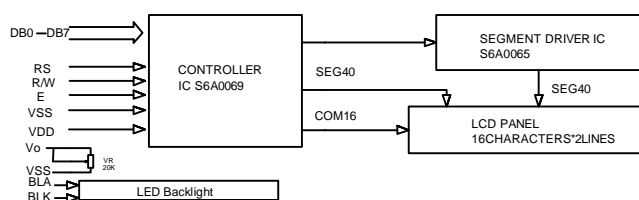


② FEATURES/特征

Feature(特征)	UNIT(单位)
LCD type & Colour(类型及颜色)	STN Yellow-green ; STN Blue
View Angle(视角)	6 O'clock
Operating temperature(工作温度)	-0°C ---- 50°C
Storage Temperature(贮存温度)	-10°C ---- 60°C
Control IC & Package(控制芯片及封装)	SPLC780D , COB
Weight(重量)	32 (With B/L)
Backlight(背光类型)	LED

	Ta=25°C	MIN(最小)	TYP(典型)	MAX(最大)	UNIT(单位)
Supply current don't contain backlight(无背光时电流)	0		4		mA
VDD(电源)	-0.3		5.0		V
VLCD-V0(LCD驱动电压)	0		5.0		V
Backlight LED (背光电压, 电流)	侧背光	0	5.0		V
	底背光	0	30		mA
			5.0		V
			120		mA

④ BLOCK DIAGRAM/原理电路



③ PIN CONFIGURATION/管脚说明

PIN	SYMBOL	DESCRIPTION(定义描述)	
1	VSS	Power ground (地)	
2	VDD	Power positive(逻辑电压)	
3	V0	Operating voltage for LCD Driver(对比度调节)	
4	RS	H:Data L: Instruction Code(指令 数据信号)	
5	R/W	Read or Write.(写数据)	
6	E	Enable trigger.(使能信号)	
7	DB0	Data bus [0-7]. There state I/O common terminal.(数据线0-7)	
14	DB7		
15	BLA		Power supply for backlight(+)(背光正极)
16	BLK		Power supply for backlight(-)(背光负极)

⑤ ELUCIDATION/补充备注