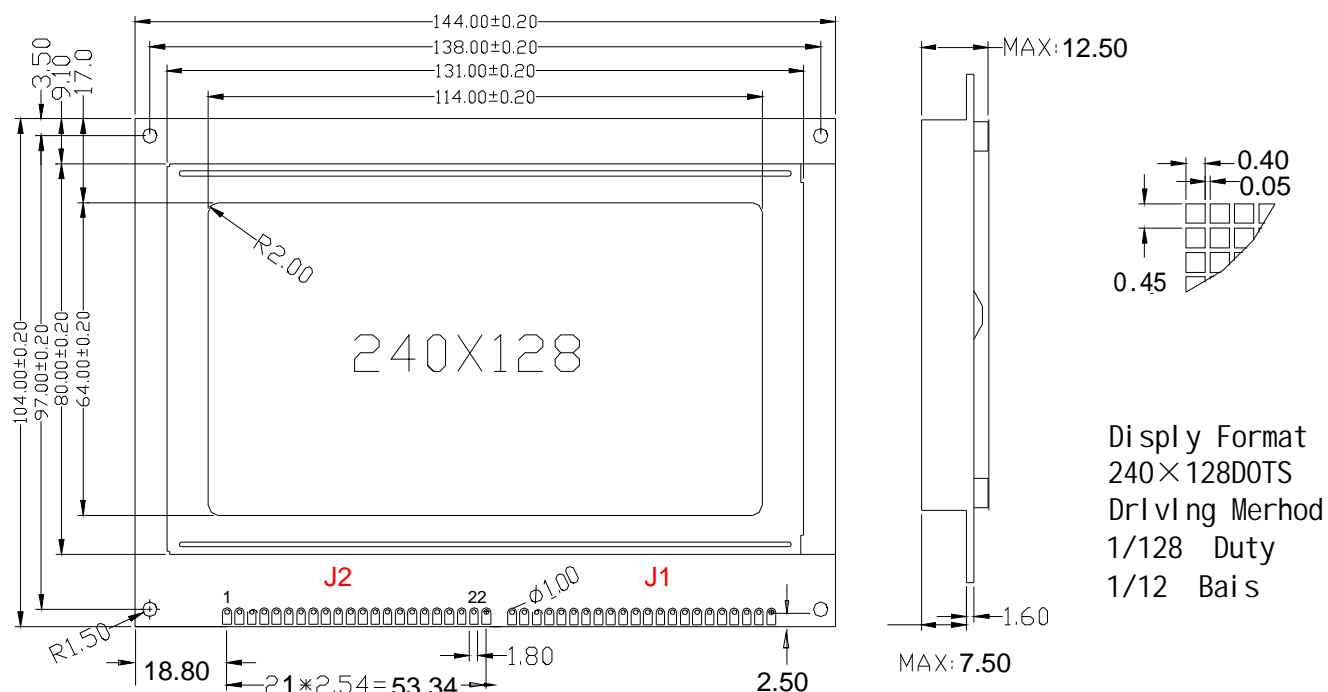


① PHYSICAL DIMENSION/外型尺寸

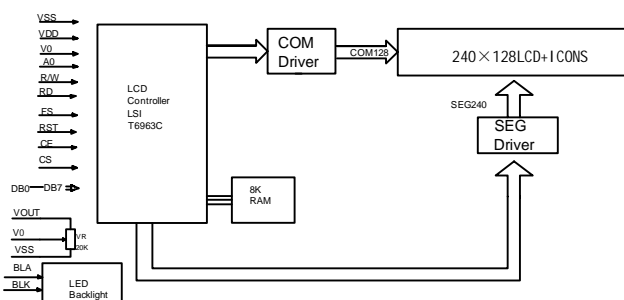


② FEATURES/特征

Feature(特征)	UNIT(单位)
LCD type & Colour(类型及颜色)	STN Yel low-green ; STN Bl ue ; FSTN
View Angle(视角)	6 0' cl ock
Operating temperature(工作温度)	-20℃ ---- 70℃
Storage Temperature(贮存温度)	-30℃ ---- 80℃
Control IC & Package(控制芯片及封装)	T6963C , COB
Weight(重量)	170 (Wi th B/L)
Backlight(背光类型)	LED

Ta=25℃	MIN(最小)	TYP(典型)	MAX(最大)	UNIT(单位)	
Supply current don't contain backlight(无背光时电流)	0	12.0		mA	
VDD(电源)	-0.3	3.3	5.0	5.5 V	
VLCD-V0(LCD驱动电压)	0	-6.8		V	
Backlight LED (背光电压, 电流)	侧背光	0	3.0	5.0	75 mA
	底背光				V
				mA	

④ BLOCK DIAGRAM/原理电路



③ PIN CONFIGURATION / J2接口说明

PIN	SYMBOL	DESCRIPTION (J2接口定义描述)	
1	FG	Frame Grokund(铁框地)	
2	VSS	Power ground (地)	
3	VDD	Power positive(逻辑电压)	
4	V0	Operating voltage for LCD Driver(对比度调节)	
5	R/W	Read or Write.(写数据)	
6	RD	Register select(读信号)	
7	CE	Chip select (片使能信号)	
8	C/D	H: Data L: Instruction Code(指令 数据信号)	
9	RST	Reset Signal (复位)	
10	DB0	Data bus [0-7]. There state I/O common terminal . (数据线0-7)	
17	DB7		
18	FS		Font Select(字体选择)
19	VOUT		Negati ve voltage output (负压输出)
20	BLA		Power supply for backlight(+)(背光正极)
21	BLK		Power supply for backlight(-)(背光负极)
22	NC		No connection(空脚)

⑤ ELUCIDATION/补充备注